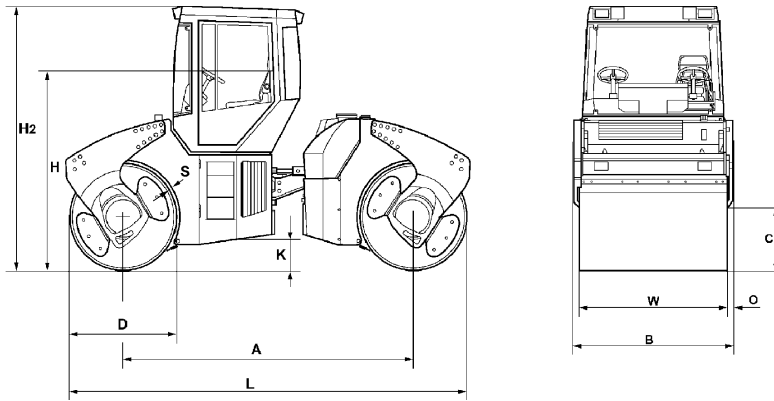


TECHNICAL DATA

TANDEM ROLLER

BW 161 AD-4





Dimensions in mm

| | A | B | C | D | H | H2 | K | L | O | S | W |
|--------------------|----------|----------|----------|----------|----------|-----------|----------|----------|----------|----------|----------|
| BW 161 AD-4 | 3300 | 1840 | 715 | 1220 | 2320 | 3000 | 350 | 4610 | 80 | 17 | 1680 |

Shipping dimensions in m3

BW 161 AD-4

without ROPS

19,679

with ROPS

25,447

| Machine type | Compaction output (m3/h) at recommended soil layer thicknesses | | |
|---------------------|---|-------------------|-------------------|
| | Gravel, sand | Mixed soil | Silt, clay |
| BW 161 AD-4 | 150-320 | 135-260 | 100-220 |

| Machine type | Compaction output (t/h) at different asphalt layer thicknesses | | |
|---------------------|---|---------------|-----------------|
| | 2-4 cm | 6-8 cm | 10-14 cm |
| BW 161 AD-4 | 50-100 | 100-200 | 150-230 |

Technical Data

BOMAG BW 161 AD-4

Weights

| | | |
|--------------------------------------|-------|--------|
| Operating weight CECE w. cab. | kg | 10.050 |
| Axle load, front CECE | kg | 5.050 |
| Axle load, rear CECE | kg | 5.000 |
| Static linear load, front CECE | kg/cm | 30,1 |
| Static linear load, rear CECE | kg/cm | 29,8 |
| Grossweight | kg | 11.500 |

Dimensions

| | | |
|---------------------------|----|-------|
| Track radius, inner | mm | 4.400 |
|---------------------------|----|-------|

Driving Characteristics

| | | |
|-----------------|------|---------|
| Speed (1) | km/h | 0- 5,7 |
| Speed (2) | km/h | 0- 11,0 |

Drive

| | | |
|-----------------------------|-------|--------------------|
| Engine manufacturer | | Deutz |
| Type | | TCD 2012 L04 2V |
| Emission stage | | Stage IIIa / TIER3 |
| Cooling | | Liquid |
| Number of cylinders | | 4 |
| Performance ISO 14396 | kW | 100,0 |
| Speed | min-1 | 2.300 |
| Electric equipment | V | 12 |

Brakes

| | | |
|---------------------|--|----------|
| Service brake | | hydrost. |
| Parking brake | | mech. |

Steering

| | | |
|---------------------------------------|----|--------------|
| Steering system | | oscil.artic. |
| Lateral displacement right/left | mm | 170 |

Exciter system

| | | |
|-----------------------------|----|--------------|
| Vibrating drum | | front + rear |
| Autom. vibr. shut off | | standard |
| Frequency | Hz | 40/50 |
| Amplitude | mm | 0,94/0,42 |
| Centrifugal force | kN | 107/74 |
| Centrifugal force | t | 10,9/7,5 |

Capacities

| | | |
|-------------|---|---------|
| Fuel | l | 200,0 |
| Water | l | 1.000,0 |

Technical modifications reserved. Machines may be shown with options.

Standard Equipment

- 2 amplitudes / 2 frequencies
- Crab steer right/left 170 mm
- Autom. vibration operation
- Individual vibration control
- Operator's platform with:
 - two steering wheels
 - Rotable and laterally sliding seat
- 2 travel levers with integrated switches for vibration
 - + Edge pressing roller
 - + Crab steer right/left
- Pressure sprinkling system with 2 pumps
- Back-up alarm
- Battery disconnect switch

Optional Equipment

- * ROPS cabin with seat belts
 - + 4 integrated lights
- Cabin without ROPS
- Indicator and hazard lights
- Sun roof
- Rotary beacon
- Speedometer
- Asphalt temperature display
- Edge cutter
- Folding scrapers
- Additional weight (600kg)
- Air condition
- ECONOMIZER
- Radio
- Additional outside mirrors
- Fire extinguisher
- Pointer
- BOMAP compaction navigation with GPS

